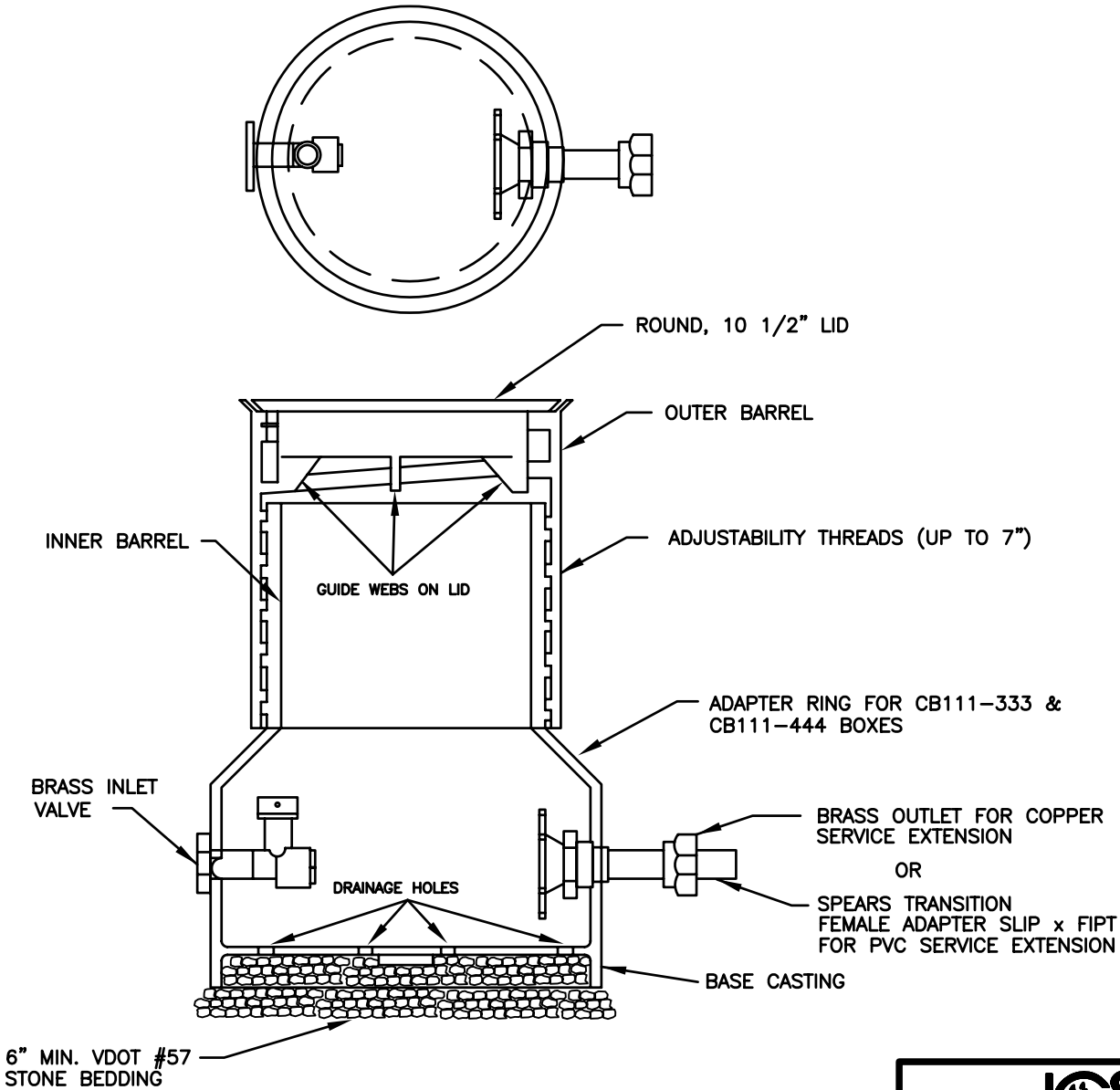



METER SIZE	FORD METER BOX Co.	MUELLER EZ SETTER		
	BOX MODEL	BOX MODEL	EXTENSION	NON-LOCKING LID W/READER
5/8"x 3/4"	CB111-233	203IS1514RAAN	SE1506	282920
3/4"	CB111-333	250IS1814RAAN	SE1506	282920
1"	CB111-444	330IS1814RAAN	SE1806	282920

NOTES:

1. METER BOX SHALL BE CAST IRON FORD CRESENT BOX AS MANUFACTURED BY THE FORD METER BOX CO., WABASH, INDIANA OR MUELLER EZ-SETTER.
2. THE INLET VALVE, CLAMPING DEVICE AND AND OUTLET FITTING SHALL BE WATERWORKS BRASS IN ACCORDANCE WITH AWWA C800.
3. METER SETTERS FOR RESIDENTIAL USE SHALL BE 5/8"x3/4"MIN. THRU 1" MAX.



REVISION DATE	COMMENT
JUNE 2004	ADDED FEMALE ADAPTER SLIP x FIPT
JULY 2005	ADDED TABLE

	
<b>5/8 x 3/4 THRU 1" METER SETTING</b>	
DWG NO. W14.0	SCALE: NONE
DWN BY:	DATE: 1-1-2002