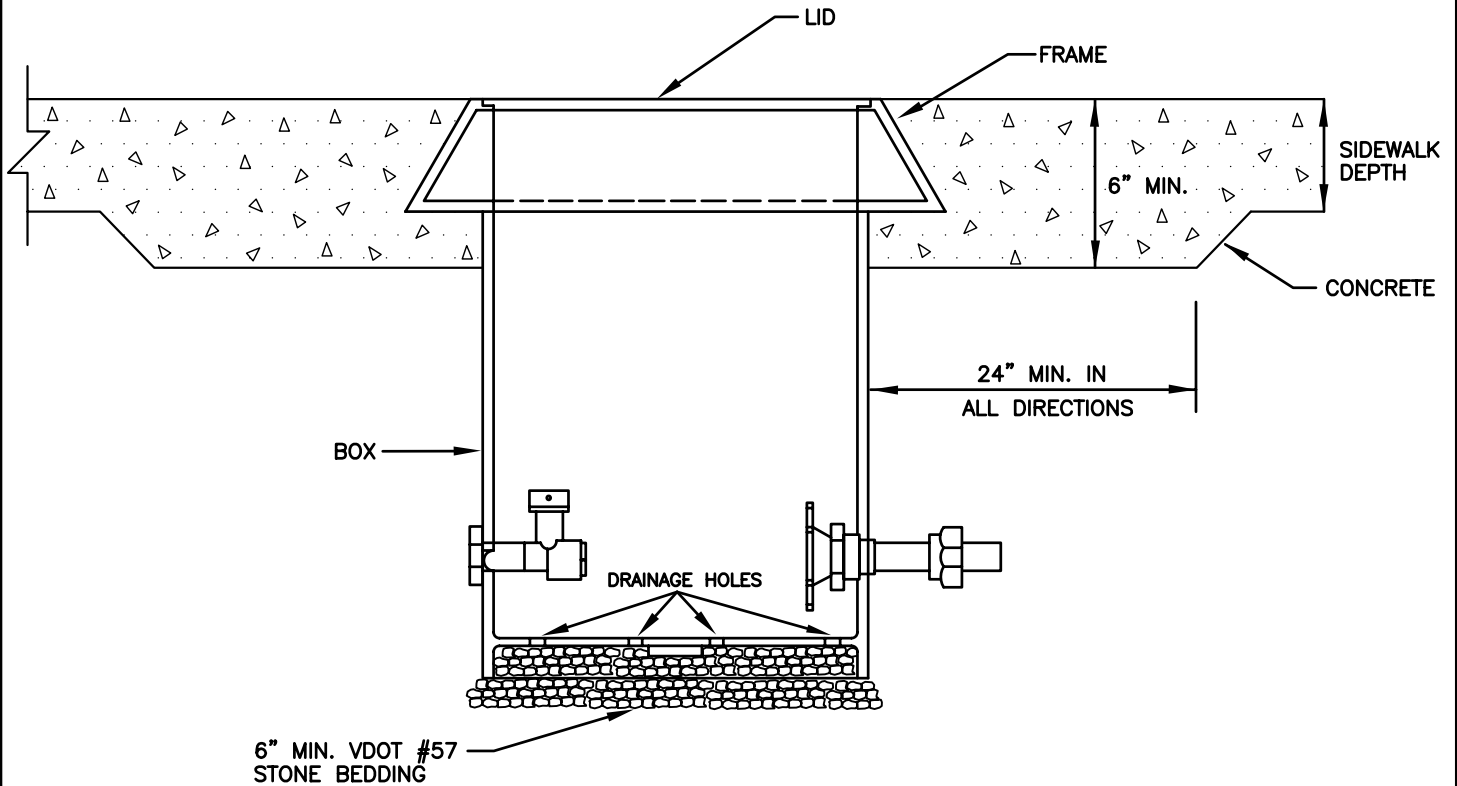



METER SIZE	LID MODEL	FRAME MODEL	BOX MODEL	MANUFACTURER
5/8"x 3/4"	780112	700097	203IS1514RAAN	MUELLER Co.
3/4"	780113	700098	250IS1814RAAN	MUELLER Co.
1"	780113	700098	330IS1814RAAN	MUELLER Co.



**NOTES:**

1. SIDEWALK INSTALLATIONS ALLOWED ONLY WHERE SHOWN ON JCSA APPROVED SITE PLANS.
2. REFER TO DETAIL W13.0 FOR TYPICAL WATER SERVICE INSTALLATION REQUIREMENTS.
3. THIS METER SETTING IS NOT SUITABLE FOR H2O TRAFFIC LOADING.

	
<b>5/8 x 3/4 THRU 1" METER SETTING FOR SIDEWALK INSTALLATIONS ONLY</b>	
DWG NO. W14.1	SCALE: NONE
DWN BY:	DATE: 8-4-2005

REVISION DATE	COMMENT