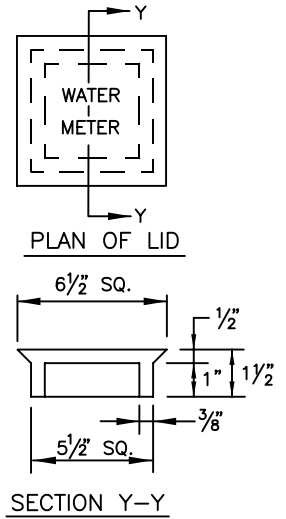
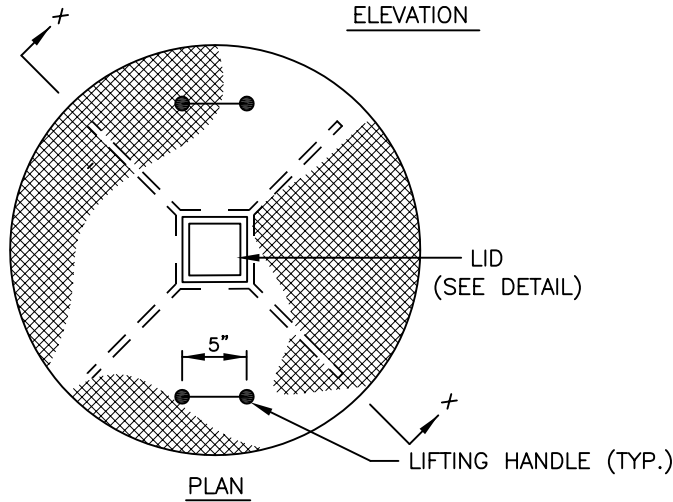
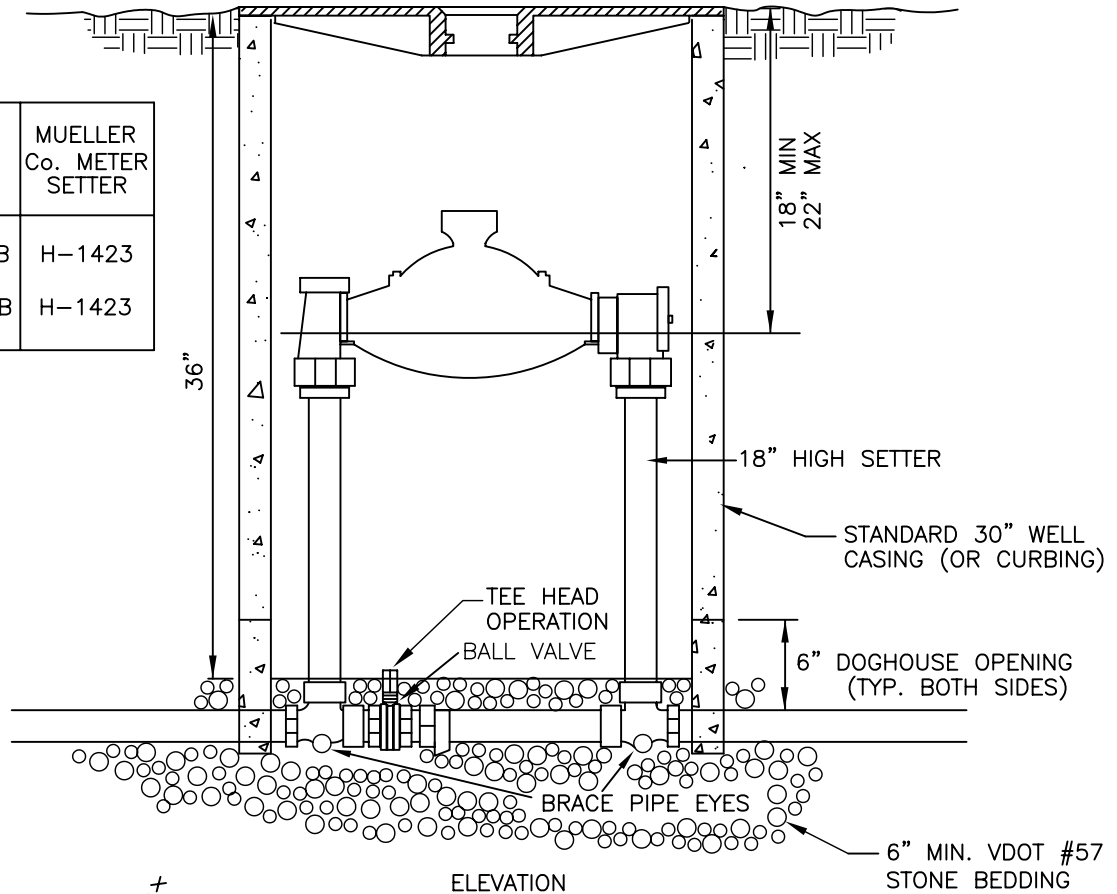
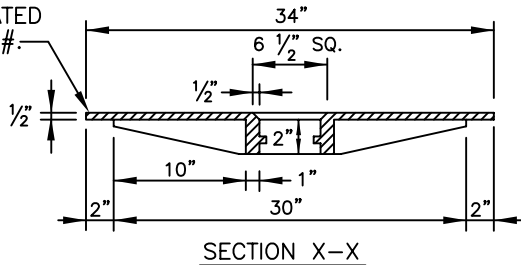



METER SIZE	FORD METER SETTER	MUELLER Co. METER SETTER
1-1/2"	VH46-18B	H-1423
2"	VH47-18B	H-1423



CAPITOL FOUNDRY OF VIRGINIA, INC. MB-LYNCH\*34  
 CAST IRON - ASTM A-48 CLASS 30B  
 FINISH - ASPHALT & COATED  
 AVERAGE 34" WEIGHT 140#.  
 LID SHALL READ  
 "WATER METER".





**JAMES CITY SERVICE AUTHORITY**

<b>1 1/2" &amp; 2" WATER METER SETTING</b>	
DWG NO. W15.0	SCALE: AS SHOWN
DWN BY: DAW	DATE: JUNE 2004

REVISION DATE	COMMENT
JUNE 2004	ADDED PLAN & LID DETAILS
AUG. 2005	ADDED TABLE & LID NOTE